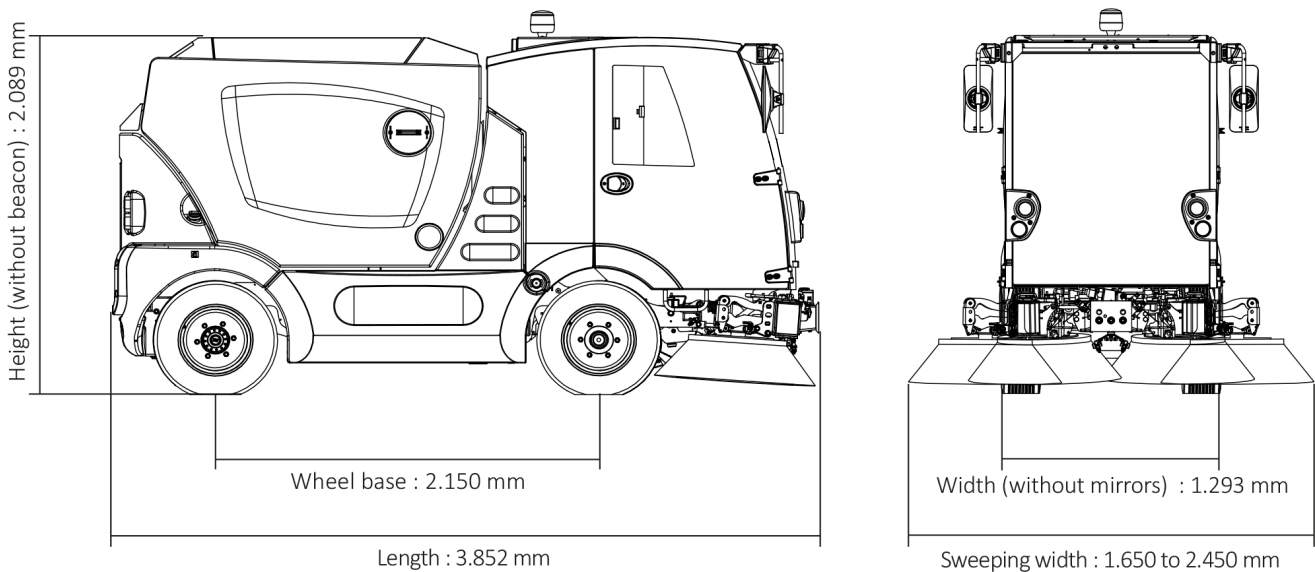


Type AZURA MC 210  
 Subject Technical and performance datas

Date 09.03.2016  
 Version MC210-AZC-2017-000  
 Number of pages 2

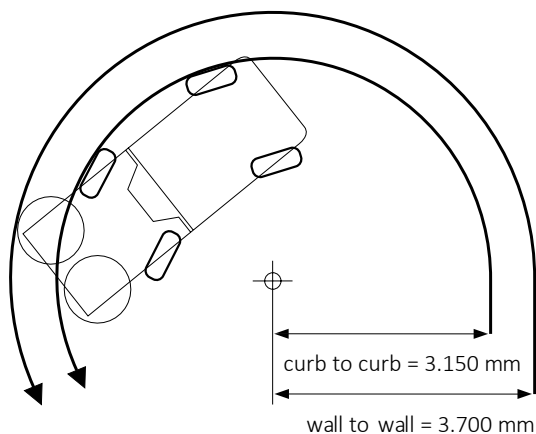
## 1\_ General characteristics

### 1.1. Dimensions



### 1.2. Steering

2 or 4 wheels steer with automatic realignment of rear axle in transit.  
 Turning radius in 4 wheels steer



### 1.5. Brakes

Front Disc brakes with dual braking system  
 Rear Hydraulic brakes + drum brakes (optional)

### 1.7. Suspensions

Front and rear Leaf springs

### 1.3. Weight

|                                            |       |
|--------------------------------------------|-------|
| Tare weight (depending on the option) (kg) | 3.600 |
| GVW (kg)                                   | 5.000 |
| Maximum weight on front axle (kg)          | 2.500 |
| Maximum weight on rear axle (kg)           | 2.500 |

### 1.4. Speeds

|                                    |               |
|------------------------------------|---------------|
| Transit mode speed (kph)           | 25 - 50       |
| Engine speed in transit mode (rpm) | 950- 2.350    |
| Work speed (kph)                   | 0 - 15        |
| Engine speed in work mode(kph)     | 1.400 - 2.000 |
| Gradeability (%)                   | upto 28 %     |

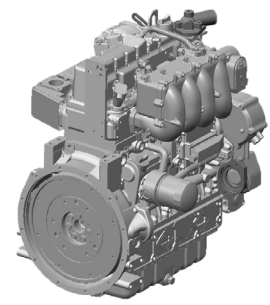
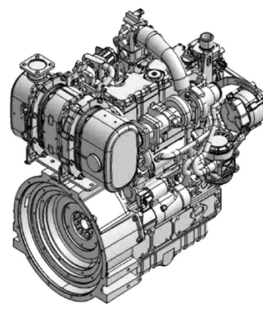
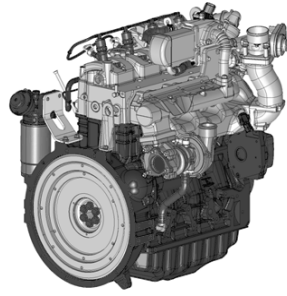
### 1.6. Tyres

|       |              |
|-------|--------------|
| Front | 225/65 R16 C |
| Rear  | 225/65 R16 C |

### 1.8. Capacities

|                               |                      |
|-------------------------------|----------------------|
| Fuel tank (liter)             | 70 - 62 (Gasoline)   |
| Clean water tank (liter)      | 300 - 280 (Gasoline) |
| Additional water tank (liter) | 240 (optional)       |

## 02\_ Engines



|                                   |                                                                                                                                                                               |                                                                                              |                                            |
|-----------------------------------|-------------------------------------------------------------------------------------------------------------------------------------------------------------------------------|----------------------------------------------------------------------------------------------|--------------------------------------------|
| Make                              | VM R754 EU6C Common rail                                                                                                                                                      | KUBOTA V3800-CR-T-E5B                                                                        | KUBOTA WG3800-G                            |
| Engine type                       | Diesel EURO 6                                                                                                                                                                 | Diesel TIER IV / Stage V                                                                     | Gasoline TIER 2 / CARB TIER 3              |
| After-treatment                   | Exhaust line with catalyst (DOC) and particle filter (DPF) + Selective Catalytic Reduction system (SCR) with AdBlue injection (14 liter tank)<br>Particle counter (PM sensor) | Exhaust system with catalyst (DOC) and particle filter (DPF)<br>Particle counter (PM sensor) | Exhaust with catalytic converter + muffler |
| Cubic capacity (cm <sup>3</sup> ) | 2.970                                                                                                                                                                         | 3.800                                                                                        | 3.800                                      |
| Number of cylinders               | 4                                                                                                                                                                             | 4                                                                                            | 4                                          |
| Maximum power                     | 62 kW @ 2.300 rpm (83 BHP)                                                                                                                                                    | 55,4 kW @ 2.200 rpm (74 BHP)                                                                 | 65 kW @ 2.600 rpm (78 BHP)                 |
| Maximum torque                    | 270 Nm @ 1.350 rpm                                                                                                                                                            | 310 Nm @ 1.500 rpm                                                                           | 255 Nm @ 1.600 rpm                         |

## 03\_ Work performances

### 3.1. Sweeping system

|                                         |                                            |
|-----------------------------------------|--------------------------------------------|
| Sweeping width (mm)                     | 1.650- 2.450                               |
| Number of brushes                       | 2                                          |
| 2 brushes sweeping                      | Standard integrated Push&Pull system (PPS) |
| Control of the brushes                  | Joystick                                   |
| Brush diameter (mm)                     | 900                                        |
| Brush rotation speed (rpm)              | adjustable up to 120                       |
| Sweep rate / output (m <sup>3</sup> /h) | 33.000- 36.750 (theoretical max.)          |

### 3.2. Waste hopper

|                                 |                      |
|---------------------------------|----------------------|
| Material                        | 4016 stainless steel |
| Payload (kg)                    | 1.500                |
| Voided volume (m <sup>3</sup> ) | 2                    |
| Dumping height (mm)             | 1.400                |

### 3.3. Suction system

|                                     |                                              |
|-------------------------------------|----------------------------------------------|
| Suction nozzle dimension (mm)       | 540 x 200                                    |
| Material                            | Stainless steel and CREUSABRO reinforcements |
| Suction tube diameter (mm)          | 250                                          |
| Suction tube material               | Treated polyurethane                         |
| Blower capacity (m <sup>3</sup> /h) | 13.000                                       |

## 04\_ Environmental performances

### 4.1. Consumptions

|                             |                                |
|-----------------------------|--------------------------------|
| Mixte consumption (liter/h) | 5,0 (EU6) - 5,5 (T4) - 6,5 (G) |
|-----------------------------|--------------------------------|

### 4.3. Sound emissions

|                                               |                                |
|-----------------------------------------------|--------------------------------|
| Acoustic power outside L <sub>WA</sub> (dB A) | 103 (EU6) - 104 (T4) - 101 (G) |
|-----------------------------------------------|--------------------------------|

### 4.2. PM 2,5 / PM 10 emissions

|       |         |
|-------|---------|
| Level | 4 stars |
|-------|---------|

### 4.4. Vibrations

|                                                 |                                   |
|-------------------------------------------------|-----------------------------------|
| Entire body (seat) (a <sub>wzs</sub> )          | don't exceed 0,5 m/s <sup>2</sup> |
| Upper limbs (steering wheel) (a <sub>hv</sub> ) | don't exceed 2,5 m/s <sup>2</sup> |