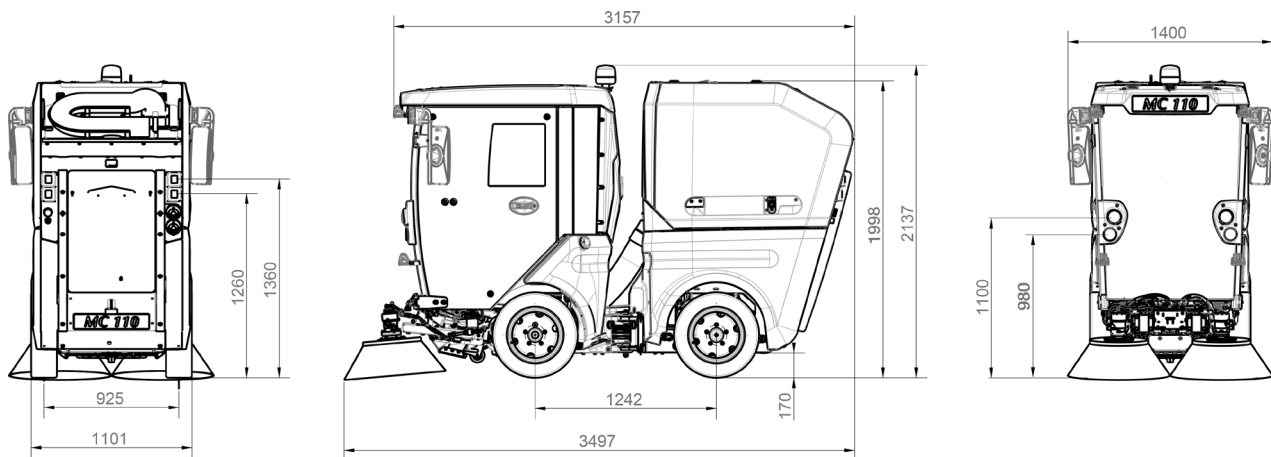


Type MC 110  
 Subject Technical and performance datas

Date 15.11.2017  
 Version MC110-2017-000  
 Number of pages 2

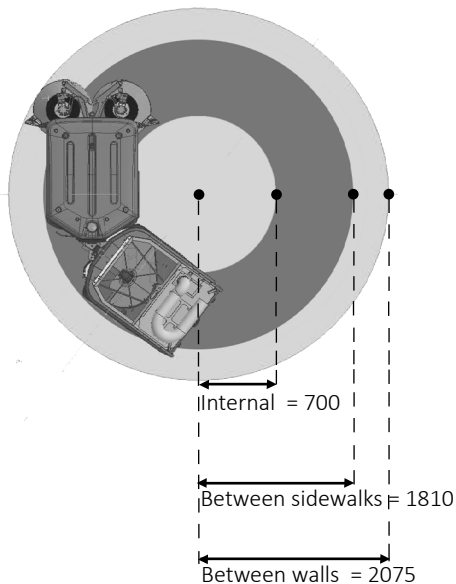
## 1\_ General characteristics

### 1.1. Dimensions



### 1.2. Steering

Steering Articulated  
 Turning radius (mm)



### 1.3. Brakes

Front Dynamic drum brakes integrated into the drive motors  
 Parking Static brakes with lack of multidisc pres sure integrated into the drive motors

### 1.4. Suspensions

Front and rear Independent wheels suspended on leafsprings

### 1.5. Weights

Tare weight (depending on the option) (kg) 1900  
 GVW (kg) 2400  
 Payload (kg) 500

### 1.6. Speeds

Transit mode speed (kph) 0- 25  
 Engine speed in transit mode (rpm) 3000  
 Work speed (kph) 0 - 7  
 Engine speed in work mode(kph) 1600 / 1900 / 2200

### 1.7. Tyres

Front 175/65 R14  
 Rear 175/65 R14

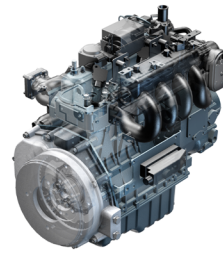
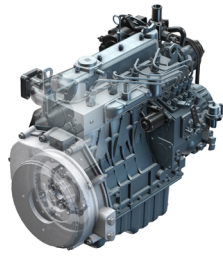
### 1.8. Transmission

Wheel drive 4  
 Drive Hydrostatic  
 Gradeability Up to 30%

### 1.9. Capacities

Fuel tank (liter) 45  
 Clean water tank (liter) 140  
 Recycling system (liter) 100  
 Hydraulic tank (liter) 45

## 02\_ Engines



Make	KUBOTA V1505-E3B Diesel Engine	KUBOTA WG1605-G-E3 Gasoline Engine
Engine type	Interim TIER 4 / Stage IIIA	EPA TIER 2 / CARB TIER 3
After-treatment	Exhaust with silencer	Exhaust with catalyst
Cubic capacity (cm <sup>3</sup> )	1498	1537
Number of cylinders	4	4
Maximum power	26,2 kW @ 3 000 rmp (36 BHP)	35 kW @ 3 000 rpm (48 BHP)
Maximum torque	90 Nm @ 2200 rpm	117 Nm @ 2500 rpm

## 03\_ Work performances

### 3.1. Sweeping system

Sweeping width (mm)	1 380 - 1800
Number of brushes	2
Sweeping system type	Pushed
Control of the brushes	Joystick
Brush diameter (mm)	700
Brush rotation speed (rpm)	Adjustable up to 120
Sweep rate / output (optimal)(m <sup>2</sup> /h)	12 600 (theoretical max)

### 3.2. Waste hopper

Material	4016 stainless steel
Voided volume (m <sup>3</sup> )	0,7 (DIN EN 15429-1)
Dumping height (mm)	1 450

### 3.3. Suction system

Suction nozzle dimension (mm)	480
Material	Stainless steel
Suction tube diameter (mm)	150
Suction tube material	Polyuréthane
Blower capacity (m <sup>3</sup> /h)	3400

## 04\_ Environmental performances

### 4.1. Consumptions

Mixed consumption (liter/h)	3,5
-----------------------------	-----

### 4.2. PM 10 emissions

Level	3 stars
-------	---------

### 4.3. Sound emissions

Acoustic power outside L <sub>WA</sub> dB (A)	100
Acoustic pressure in the cabin L <sub>pA</sub> dB (A)	71

### 4.4. Vibrations

Entire body (seat) (a <sub>wzs</sub> )	less than 0,5m/s <sup>2</sup>
Upper limbs (steering wheel) (a <sub>hv</sub> )	less than 2,5m/s <sup>2</sup>